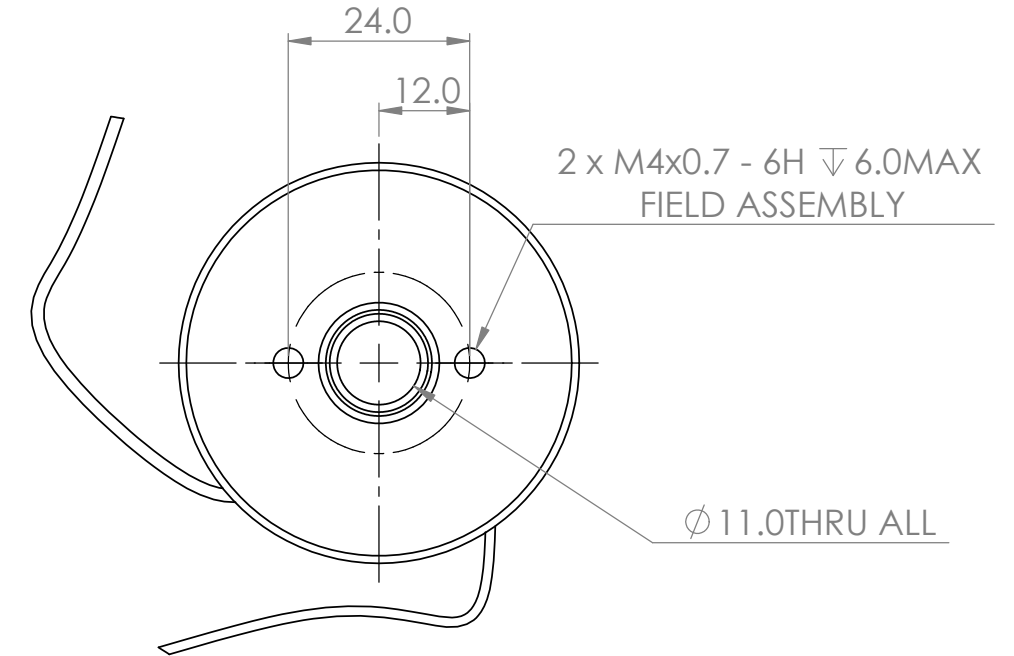
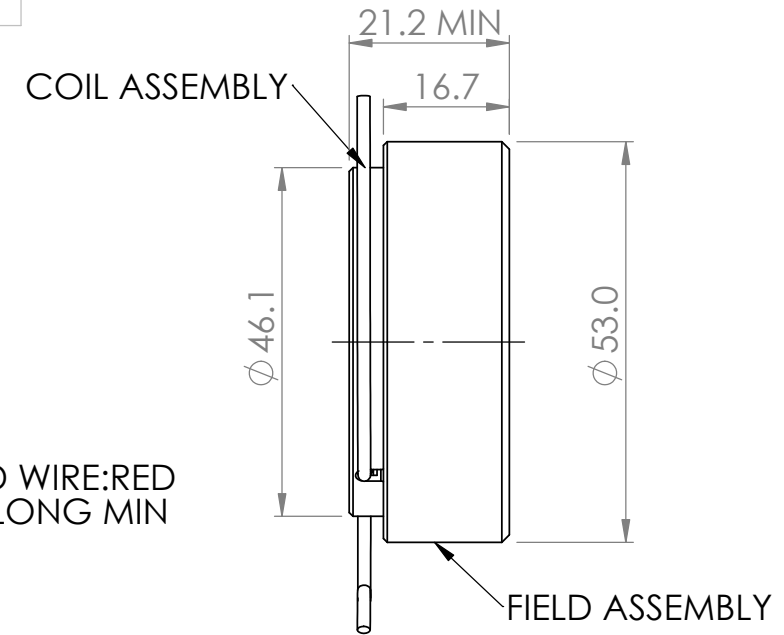
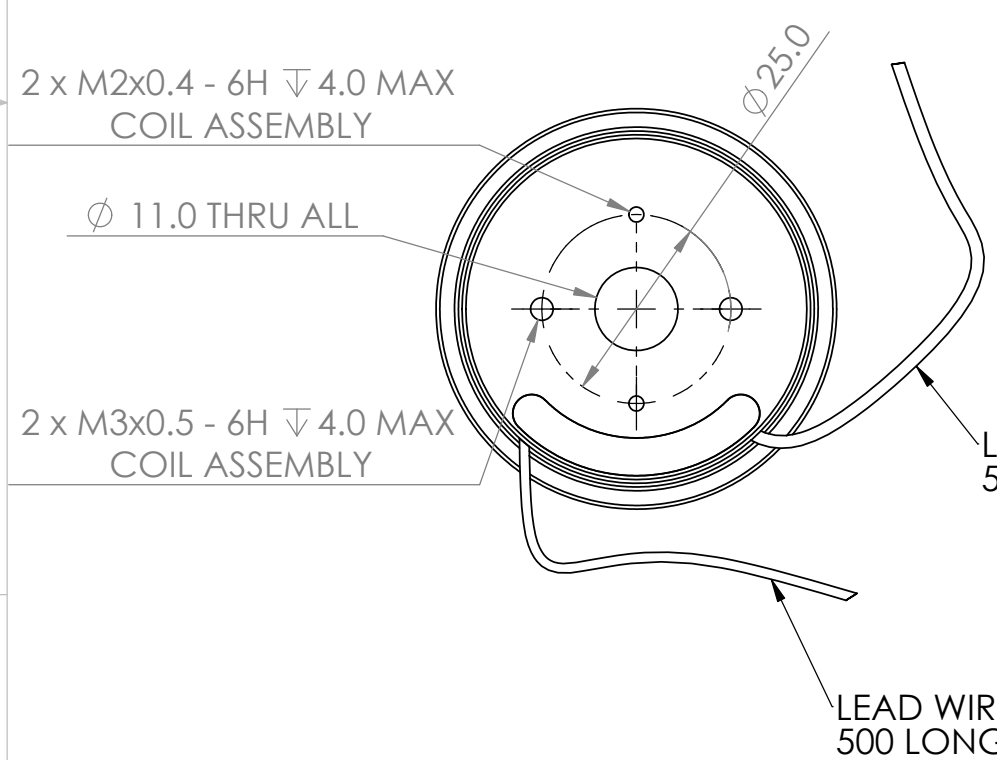
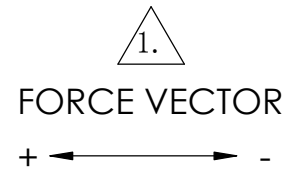
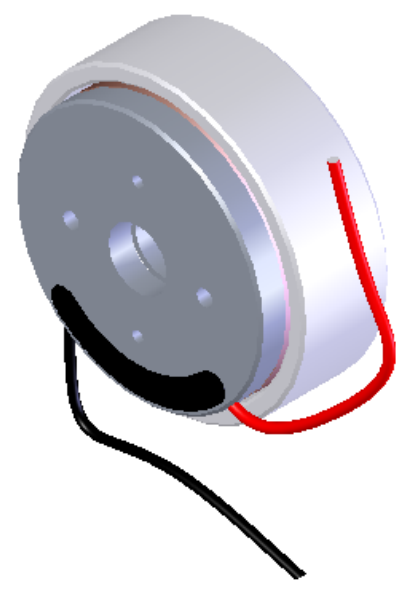


WINDING CONSTANT	TOL	SYM	VALUE	UNITS
DC RESISTANCE	± 10%	R	3.7	OHMS
VOLTAGE @ Fp	NOMINAL	Vp	18.3	VOLTS
CURRENT @ Fp	NOMINAL	Ip	4.9	AMPS
FORCE SENSITIVITY	± 10%	Kf	8.9	N / A
BACK EMF CONSTANT	NOMINAL	Kb	8.9	V/M/Sec
INDUCTANCE*****	± 30%	L	1.0	mH

* 10 sec @ 25C ambient, 150C coil temp.
 ** 25C ambient, 150C coil temp.
 *** In free air.
 **** Measured with 250×250×10mm heat sink.
 ***** Measured with TONGHUI TH2821A.

REV	ECO NO.	DESCRIPTION	DRN	APP'D	Q.A.	DATE
X1	---	INITIAL RELEASE	BWZ	WYG	LBQ	07/12/12

ACTUATOR PARAMETER	SYM	VALUE	UNITS
PEAK FORCE *	Fp	44	N
CONTINUOUS FORCE **	Fc	16.3	N
CONTINUOUS FORCE WITH HEAT SINK	Fc	39.7	N
ACTUATOR CONSTANT	Ka	4.6	N/√w
ELECT TIME CONSTANT	Te	0.27	milli-sec
POWER I2R@Fp	Pp	90.4	W
TOTAL STROKE	S	4.0	mm
CLEARANCE ON SIDE OF COIL	CL	0.4	mm
THERMAL RESISTANCE ***	θth	10	C / W
THERMAL RESISTANCE WITH HEAT SINK****	θth	1.7	C / W
MAX WINDING TEMP	Tmax	150	C
WEIGHT OF COIL ASSEMBLY	WTc	45	g
WEIGHT OF FIELD ASSEMBLY	WTf	225	g
WEIGHT OF ACTUATOR	WTa	270	g



2.INSULATION RESISANCE:100 MEGOHMS MINIMUM AT 500 VDC.

△. A POSITIVE(+)VOLTAGE APPLIED TO THE RED LEAD WILL PRODUCE A FORCE ON THE COIL ASSEMBLY IN POSITIVE (+) DIRECTION.

NOTES:UNLESS OTHERWISE SPECIFIED

UNLESS OTHERWISE SPECIFIED:
 DIMENSIONS ARE IN MM
 TOLERANCES:
 ANGULAR: MACH±0° 30'
 ONE PLACE DECIMAL ±0.25
 TWO PLACE DECIMAL ±0.1

INTERPRET GEOMETRIC TOLERANCING PER:
 ANSI Y14.5M-1982.
 DO NOT SCALE DRAWING

PROPRIETARY AND CONFIDENTIAL
 THE INFORMATION CONTAINED IN THIS DRAWING IS THE SOLE PROPERTY OF USAS MOTION - SUZHOU, CHINA. ANY REPRODUCTION IN PART OR AS A WHOLE WITHOUT THE WRITTEN PERMISSION OF USAS MOTION - SUZHOU, CHINA IS PROHIBITED.

	NAME	DATE
DRAWN	BWZ	07-04-26
CHECKED		
ENG APPR.	WYG	07-04-26
MFG APPR.		
Q.A.	LBQ	07-04-26

usas motion Suzhou, China

TITLE:
LINEAR ACTUATOR

SIZE	DWG. NO.	REV
B	VLR0044-0040-00A	X1

SCALE: 1: 1 SHEET 1 OF 1